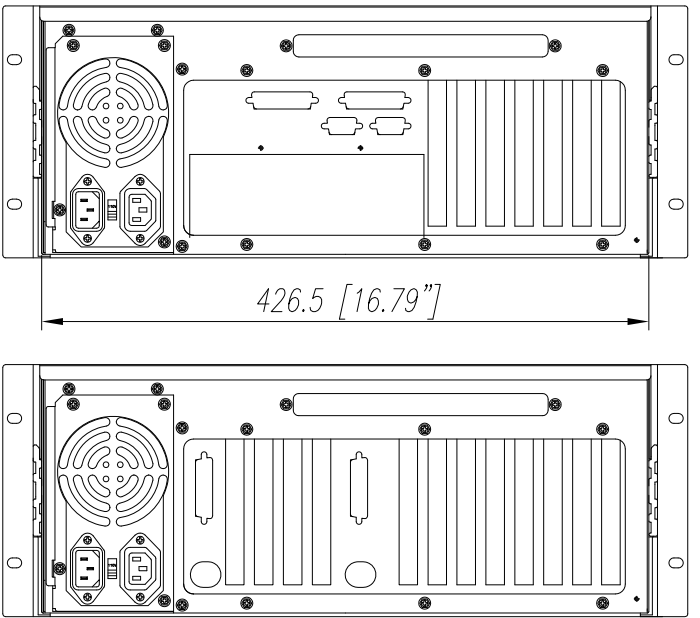
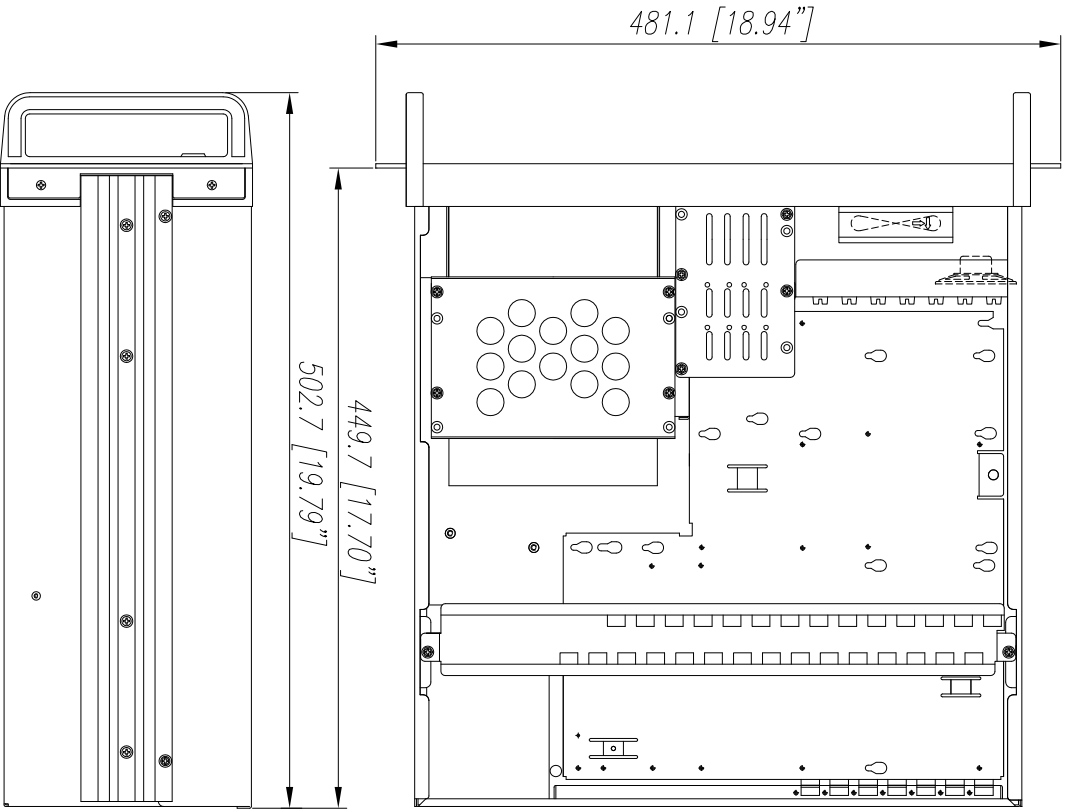
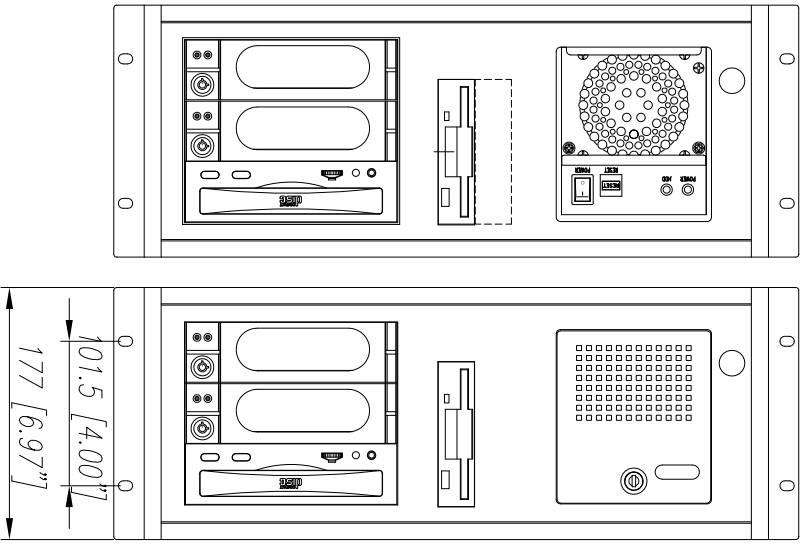


REVISION	DATE	DESCRIPTION	SIGNATURE



785

PROPRIETARY NOTICE  
 This drawing contains proprietary information of JOYANCE Enterprise of this company. In whole or in part without a written consent from JOYANCE Enterprise Co., Ltd. is strictly prohibited.  
 CUSTOMER APPROVAL

MATERIAL	
TOLERANCES UNLESS NOTED	
DECIMAL X.XX	±0.12
DECIMAL X.X	±0.25
DECIMAL X	±0.50
ANGULAR	±1°

 ENG DEPT	PROJ	SCALE	TITLE	PART NO
	APP	DO NOT SCALE DWG	MODEL	
	CHK		FILE NO	
	DGN		785	785-DIA
DRW	JOHN YANG	97/3/1	UNIT	MM
			SHT	1 OF 1
			REV.	A0